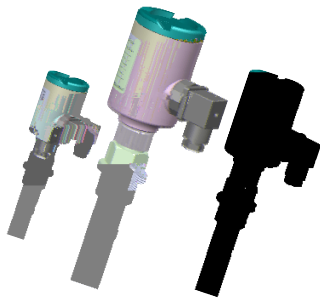


UYBD-53FR

CMC 51060004



V2.1a

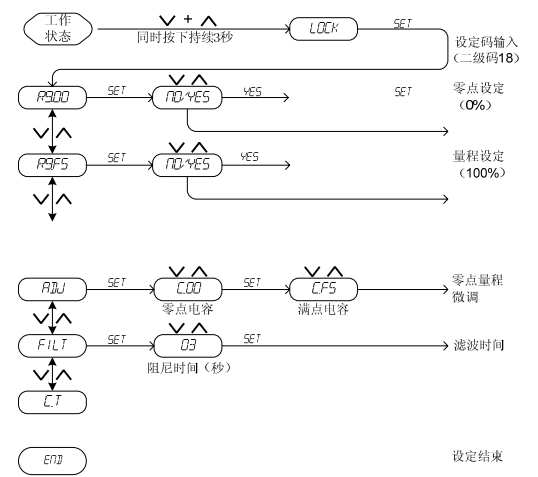
NEWPEACE®

2011-03

|    |                      |          |
|----|----------------------|----------|
| 6  | Q 0.02% /            |          |
| 7  | 500ohm max           | DC24V    |
| 8  | 0 ~+100              |          |
| 9  | ± 1.5                |          |
| 10 |                      |          |
| 11 | -25 ~+65             |          |
| 12 | -40 ~+70             |          |
| 13 | 90%                  |          |
| 14 | IP65                 |          |
| 15 | Ex ia C14            |          |
| 16 | 4 B-12               | DIN43650 |
| 17 | Q/25015640-4.01-2010 |          |

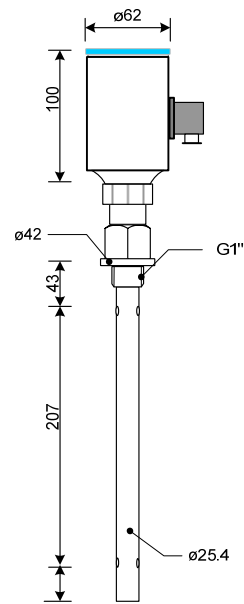
1 2  
UYBD-53FR

PTFE



UYBD-53FR

4mA 20mA



|   |     |    |    |
|---|-----|----|----|
| 1 |     |    |    |
| 2 |     |    |    |
| 3 | -40 | 70 | 25 |
| 4 |     |    |    |

1-1 1-2  
2

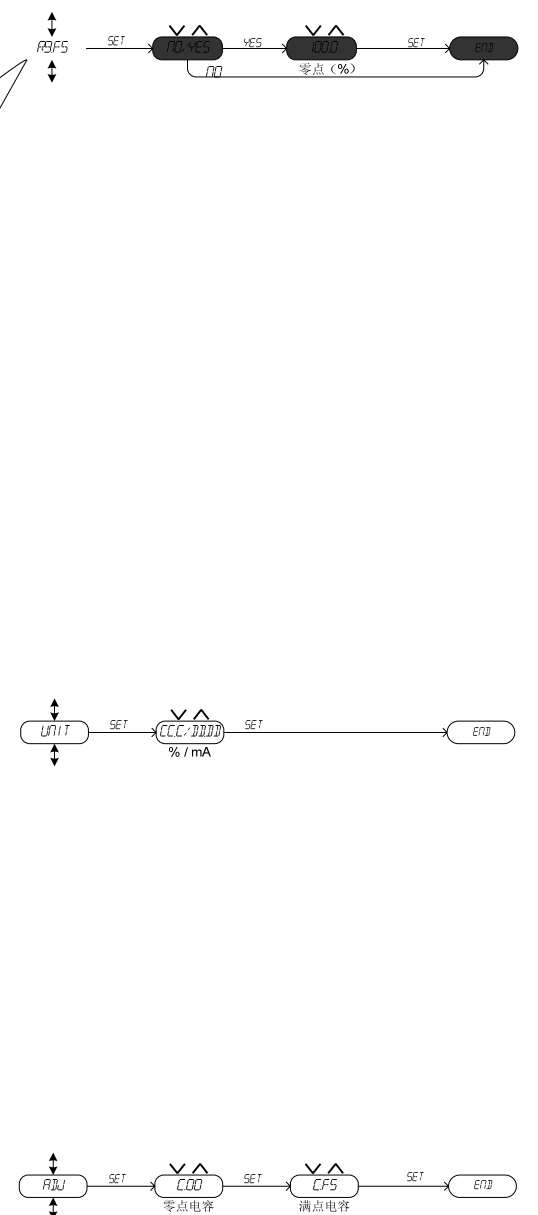
1  
UYBD-53FR  
4 20mA  
4 20mA  
DCS  
1 1  
Technical data

UYBD-53Fr/Lxxx \*xxx

| 1 Mechanical |  |                            |  |
|--------------|--|----------------------------|--|
| 1            |  |                            |  |
| 2            |  | NH3 R22 R134a<br>R404a CO2 |  |
| 3            |  | ISO G1"                    |  |
| 4            |  | 6.4MPa                     |  |
| 5            |  | -100 ~+200                 |  |
| 6            |  | SUS 304                    |  |
| 7            |  | SUS 304                    |  |
| 8            |  | 100~2500mm                 |  |
| 9            |  | PTFE                       |  |
| 10           |  |                            |  |
| 11           |  |                            |  |
| 12           |  | 2.0Kg                      |  |

| 2 Data |  |           |  |
|--------|--|-----------|--|
| 1      |  | 15V~28VDC |  |
| 2      |  | 600mW max |  |
| 3      |  | 4~20mA    |  |
| 4      |  | 1.0%      |  |
| 5      |  | 0.5%      |  |

| 2-1 LCD |         |   |    |
|---------|---------|---|----|
| LCD     |         |   |    |
|         | XXXX    |   |    |
|         | XXX.X   |   |    |
|         | XX.XX   |   | mA |
|         | 1       |   | PV |
|         | -1      |   | PV |
|         | H.O.F.L |   |    |
|         | d.E.r.r |   |    |
|         |         | 3 |    |
|         | SET+    |   | 5  |
|         | SET+    |   | 5  |
|         | SET     |   |    |



“ ”

‘ SET’

3-1

3-3 1