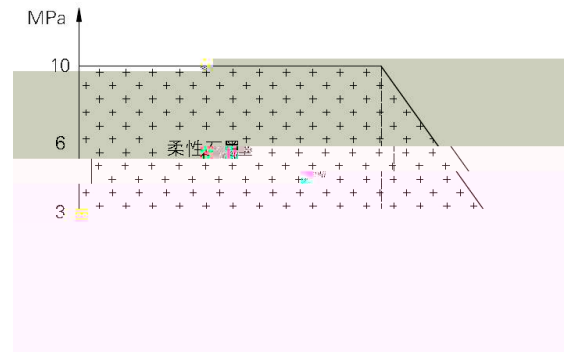
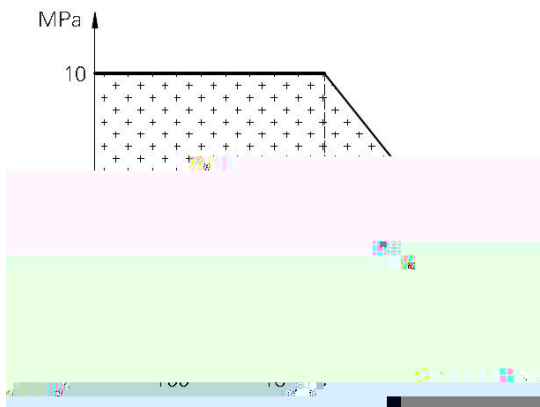


	K
	DN20mm~250mm 1-1/2"~10"
	3~10%
	350
	1
	PN PN1.6MPa 4.0MPa 6.4MPaClass Class150 Class300
	GB12221-2005

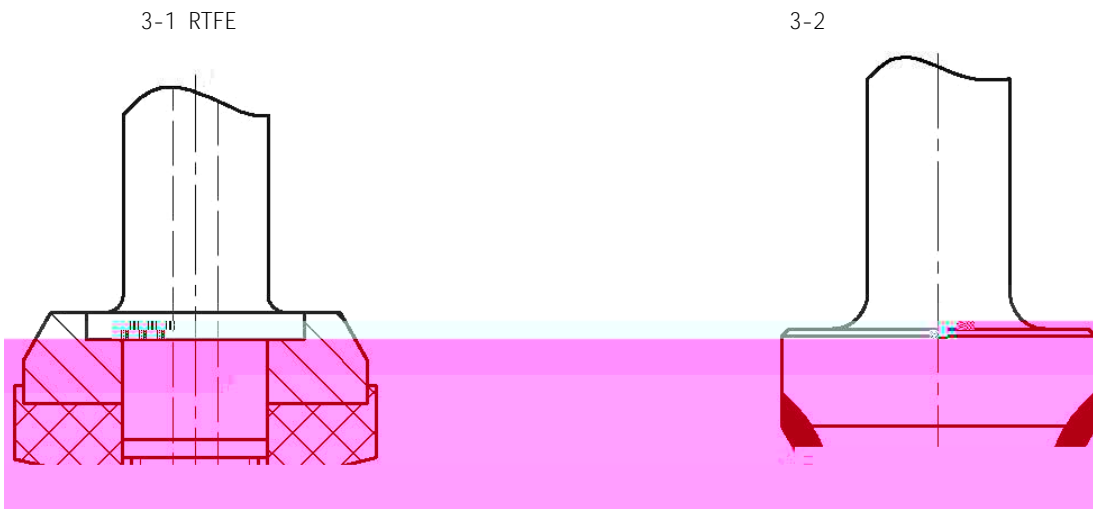
1-2

2-1

2-2



3



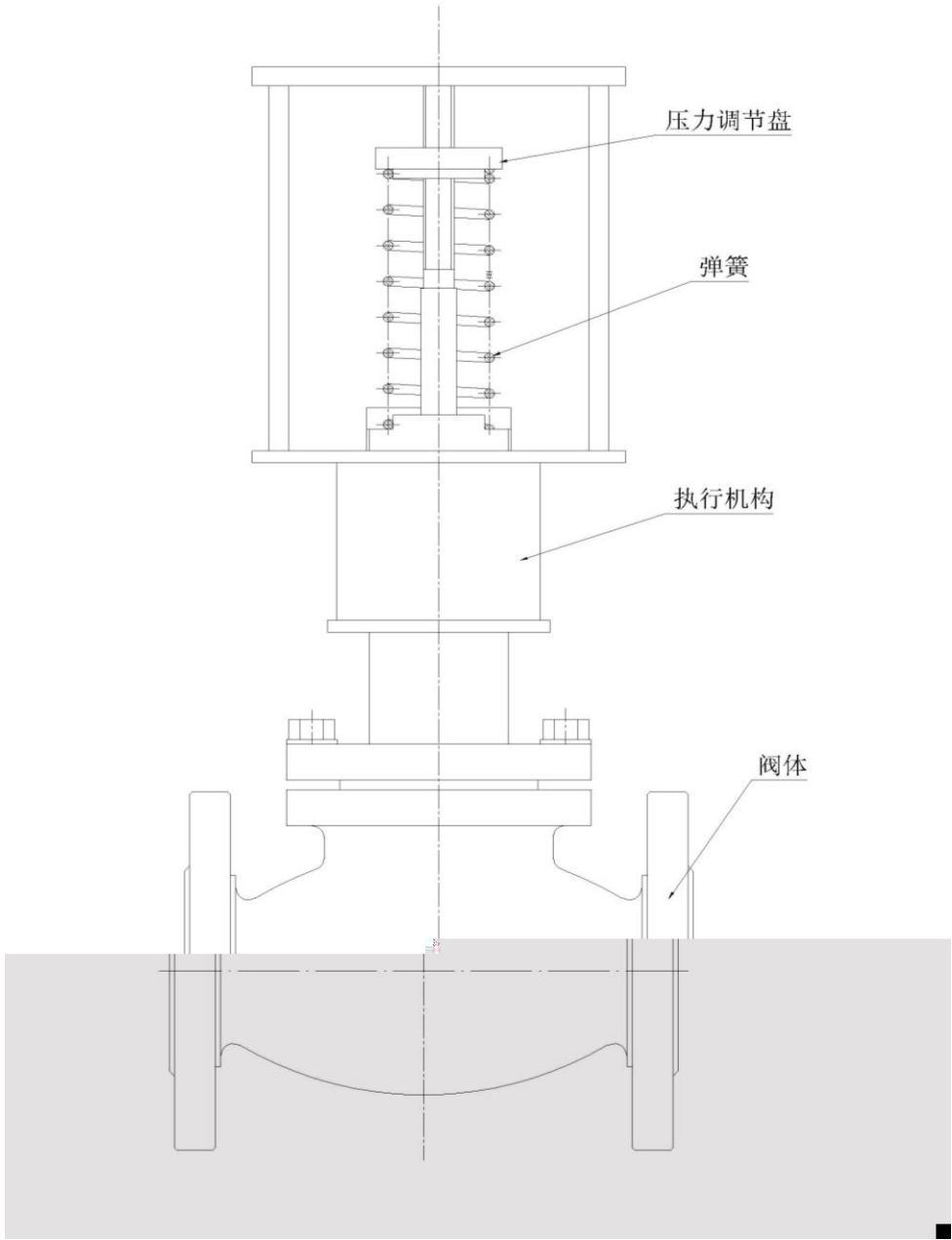
2

Kv

	K
	DN20mm~250mm 1-1/2"~10"
	3~10%
	350
	1

4

- 1.
- 2.
- 3.
- 4.
- 5.
- 6.



4

P1

P1

2

PN1.6MPa

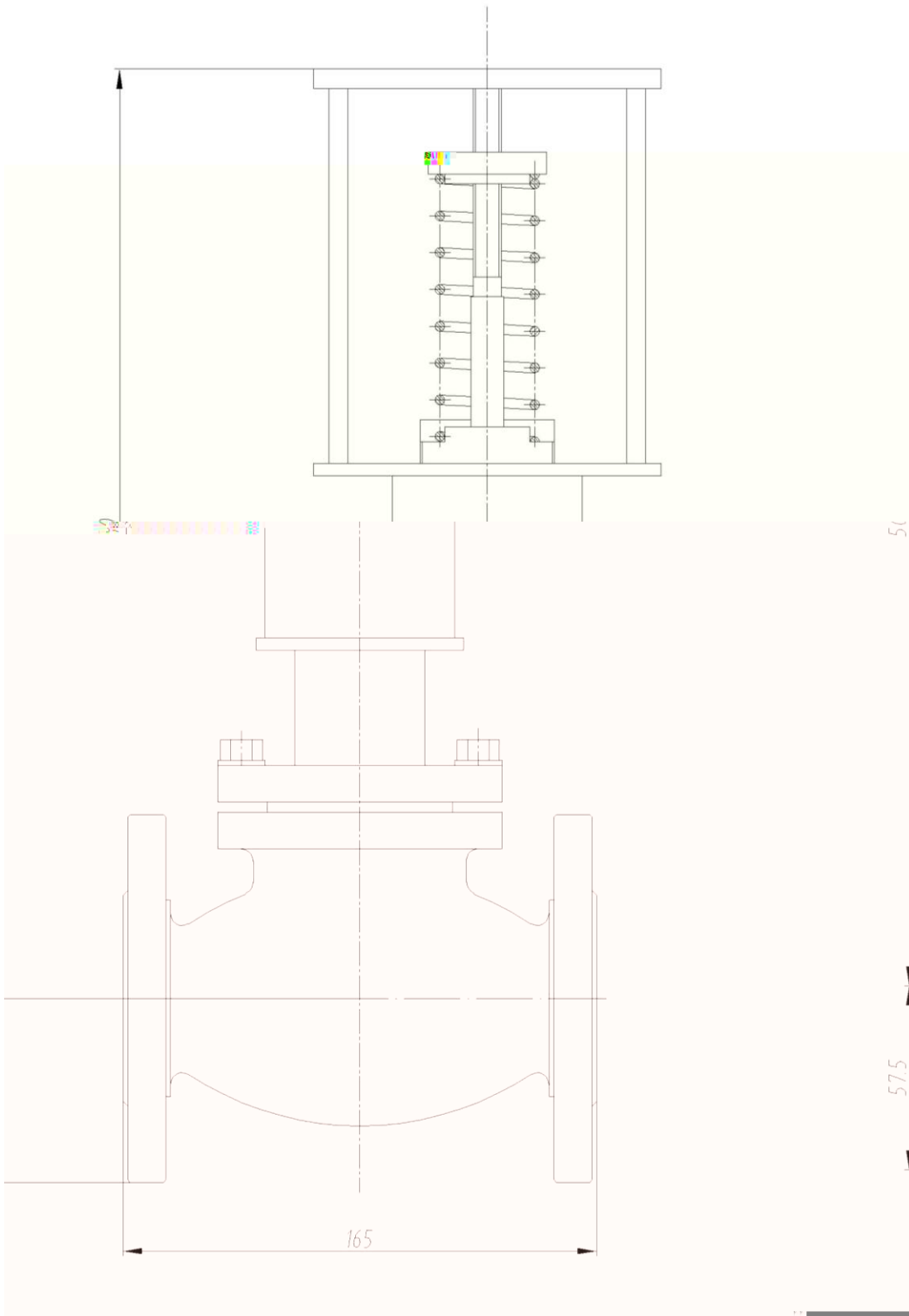
GB/T9113.1 PN4.0MPa 6.4MPa

GB/T9113.2 PN4.0MPa 6.4MPa

PN1.6MPa

M16× 1.5

ANSI DIN JIS



1

2

3

4

5

6

7

8

1

1.1

1.2

2

2.1

2.2

2.3

	K
	DN20mm~250mm 1-1/2"~10"

